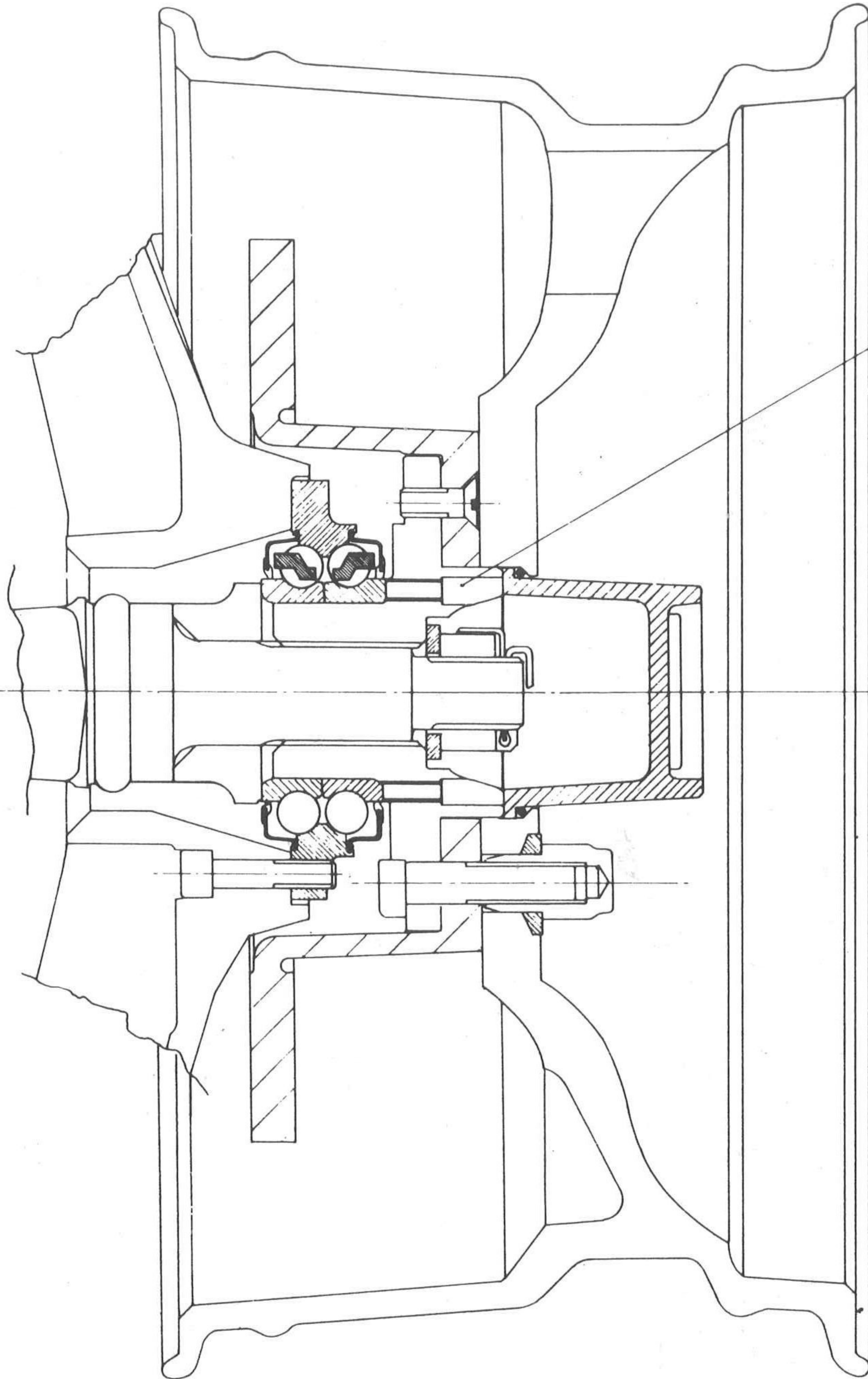


# Rear Wheel Hub Assembly



To remove the front and rear hub bearings, screw into the thread holes in each hub two 5/16" dia. x 3" long UNF bolts. Tighten both down progressively, keeping an equal pressure on both sides of the race until the race is free. **On no account should the hub bearings be removed in any other way.**